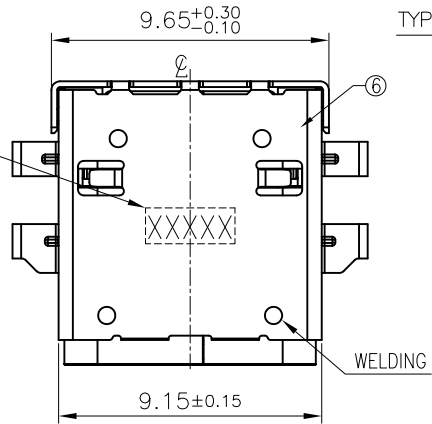
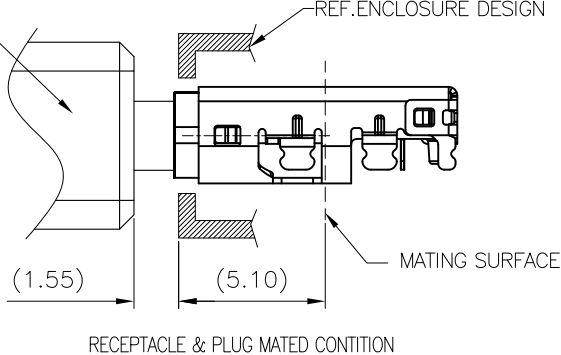




DATE CODE



TYPE C PLUG OVER MOLDING

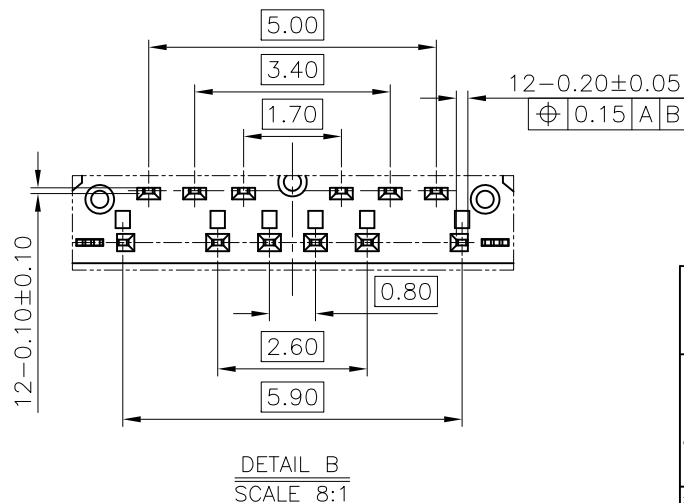
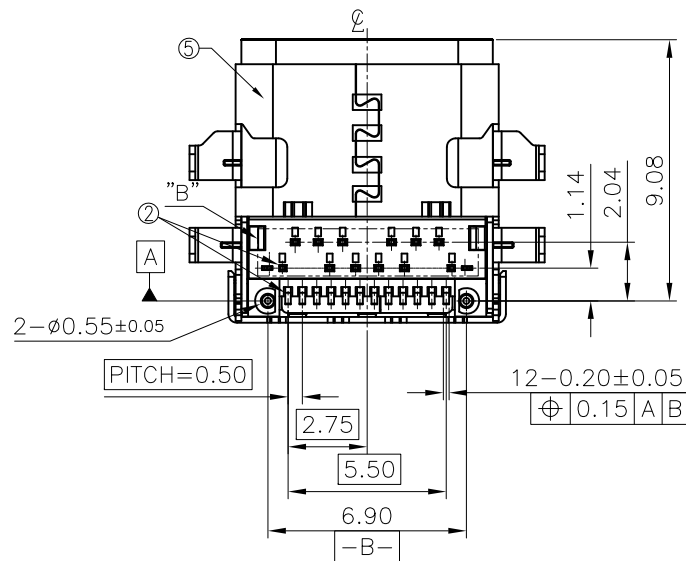
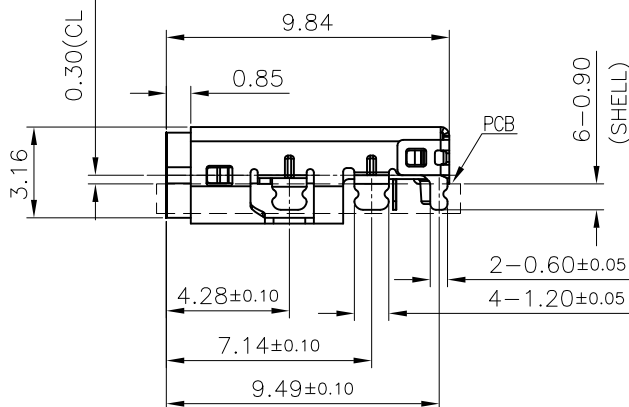
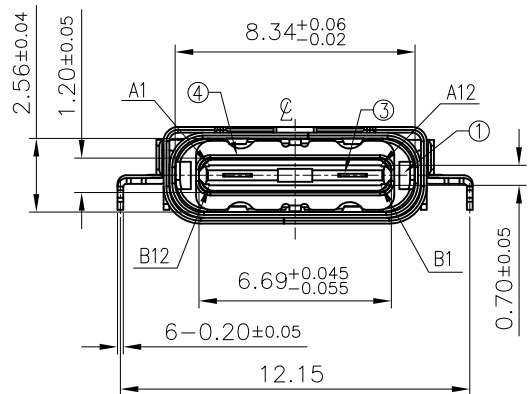
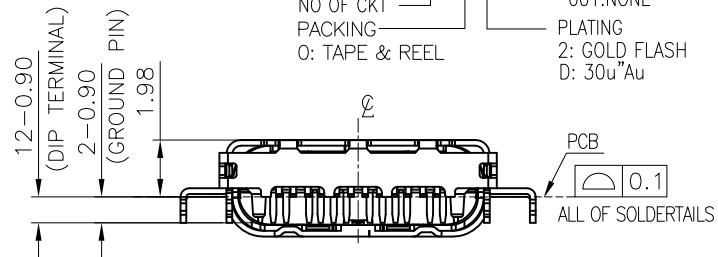


RECEPTACLE & PLUG MATED CONTITION

NOTES:

1. MATERIAL:
 - 1.1 HOUSING: THERMOPLASTIC , HIGH TEMP.,UL94V-0;
 - 1.2 CONTACT: COPPER ALLOY
 - 1.3 GROUND PIN: STAINLESS STEEL
 - 1.4 EMC PAD: STAINLESS STEEL
 - 1.5 OUTER SHELL: STAINLESS STEEL
 - 1.6 INNER SHELL: STAINLESS STEEL
2. FINISH:
 - 2.1 CONTACT:
 - 2.GOLD FLASH. ON CONTACT AREA.
 - D.30u" Au MIN. ON CONTACT AREA.
 - 80u" MIN NICKEL UNDERPLATING OVERALL.
 - SOLDER TAILS: MATTE TIN 60u" MIN. OVER NICKEL.
 - 2.2 GROUND PLATE & SHELL :
 - 50u" MIN NICKEL UNDERPLATING OVERALL.
3. SPEC. PLS. REFER TO PS-55907-xxxxx-xxx
4. PACKAGE PLS REFER TO 57991-xxxxx-xx-TRP
5. PART NUMBER

57991-024 X X-XXX
 NO OF CKT
 PACKING
 O: TAPE & REEL
 001:NONE
 PLATING
 2: GOLD FLASH
 D: 30u" Au

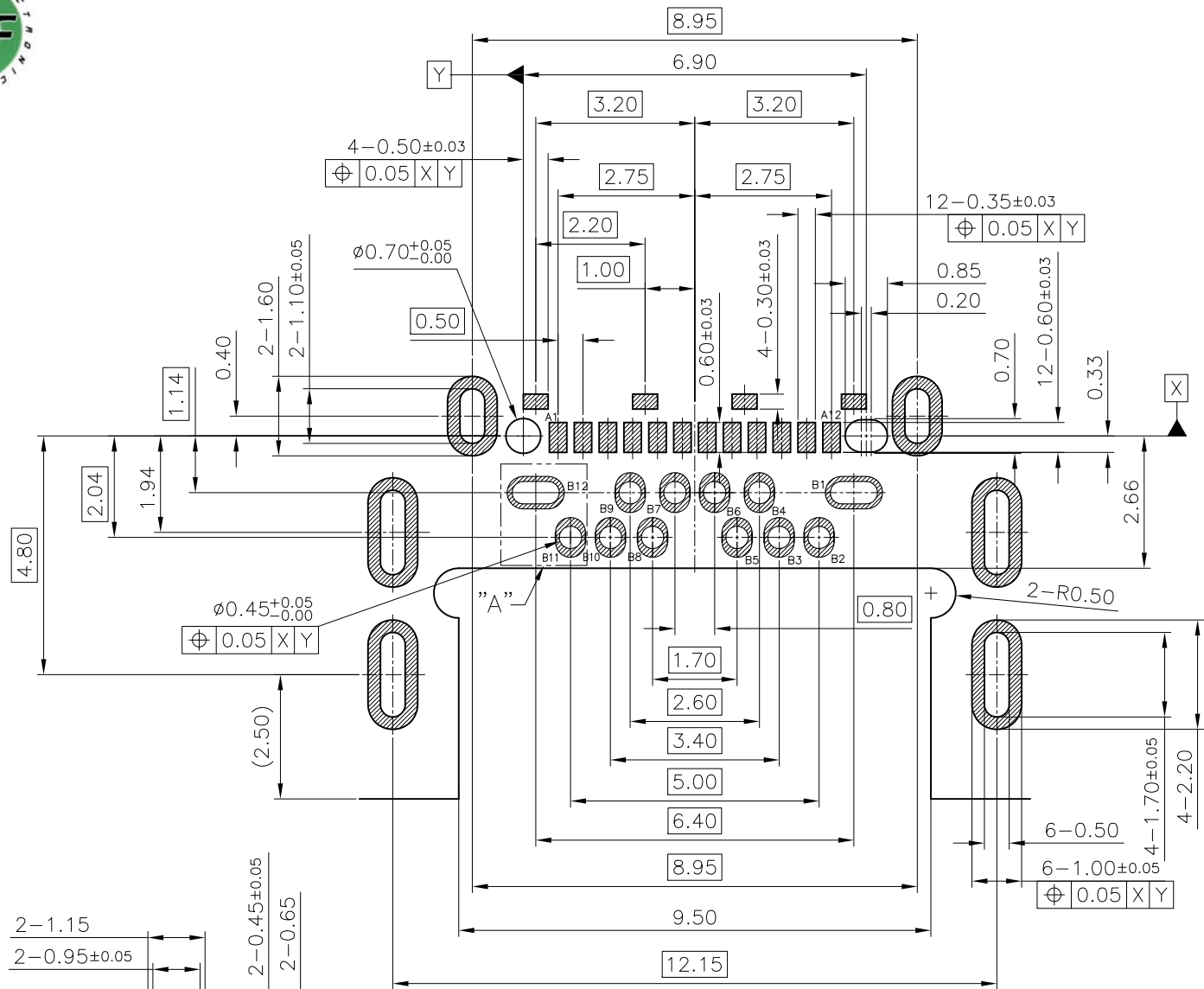


A12	GND	B1	GND
A11	SSRXp2	B2	SSTXp2
A10	SSRXn2	B3	SSTXn2
A9	VBUS	B4	VBUS
A8	SBU1	B5	CC2
A7	Dn1	B6	Dp2
A6	Dp1	B7	Dn2
A5	CC1	B8	SBU2
A4	VBUS	B9	VBUS
A3	SSTXn1	B10	SSRXn1
A2	SSTXp1	B11	SSRXp1
A1	GND	B12	GND
ITEM	NAME	Q'TY	PIN SIGNAL NAME PIN SIGNAL NAME

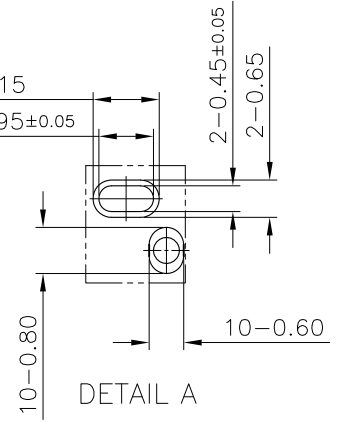
一般公差 TOLERANCES X ±0.50 .XX ±0.15 X ±0.25 .XXX ±0.10 ANGLES ±1°		宏致電子股份有限公司 Aces Electronics Co.,Ltd.	
檢驗尺寸標示 SYMBOLS ⊕ ⊗ INDICATE CLASSIFICATION DIMENSION ⊕ MARK IS CRITICAL DIM. ⊗ MARK IS MAJOR DIM.	品名 (TITLE) USB 3.1 TYPE C Mid-Mount REC ASSY (T/H R/A)	製圖 (DR) 17/11/28 CHANG CHUN WEI 審核 (CHKD) CHANG CHUN TE	
表面處理 (FINISH)	比例 (SCALE) 4:1	圖號 (DWG.NO) 57991-024XX-XXX	核准 (APPD) JACK KUO
單位 (UNITS) mm	單位 (UNITS) mm	張數 (SHEET) 1 OF 2	SIZE A4
			REV 0



- NOTES:
- 1.0 ELECTRICAL CHARACTERISTICS:
 - 1.1 LOW LEVEL CONTACT RESISTANCE:
 - INITIAL : 40mΩ FOR ALL CONTACT MAX.
 - AFTER : 10mΩ MAX. CHANGE.
 - 1.2 DIELECTRIC WITHSTANDING VOLTAGE : 100 VAC FOR 1 MINUTE SEA LEVEL.
 - 1.3 INSULATION RESISTANCE : 100MΩ MIN.
 - 1.4 CURRENT RATING :
 - VBUS AND GND CONTACT RATED AT 1.25 A EA .
 - PARALLELED FOR A TOTAL OF 5A .
 - 2.0 MECHANICAL CHARACTERISTICS :
 - 2.1 INSERTION FORCE : 5N MIN. 20N MAX.
 - 2.2 EXTRACTION FORCE : 8N MIN. 20N MAX (INITIAL) . 6N MIN. 20N MAX. (AFTER LIFE TEST)
 - 2.3 DURABILITY : 10,000 CYCLES
 - 3.0 OPERATING TEMPERATURE : -40°C TO +85°



RECOMMENDED PCBLAYOUT
TOP VIEW
SCALE 8:1
(TOLERANCE=±0.05mm)



一般公差 TOLERANCES X ±0.50 .XX ±0.15 X ±0.25 .XXX ±0.10 ANGLES ±1°		宏致電子股份有限公司 Aces Electronics Co.,Ltd.	
檢驗尺寸標示 SYMBOLS (M) (P) INDICATE CLASSIFICATION DIMENSION (M) MARK IS CRITICAL DIM. (P) MARK IS MAJOR DIM.	品名 (TITLE) USB 3.1 TYPE C Mid-Mount REC ASSY (T/H R/A) 圖號 (DWG.NO) 57991-024XX-XXX	製圖 (DR) 17/11/28 CHANG CHUN WEI 審核 (CHKD) CHANG CHUN TE 核准 (APPD) JACK KUO	張數 (SHEET) 2 OF 2 尺寸 (SIZE) A4 版次 (REV) 0
表面處理 (FINISH)	比例 (SCALE) 4:1	單位 (UNITS) mm	